



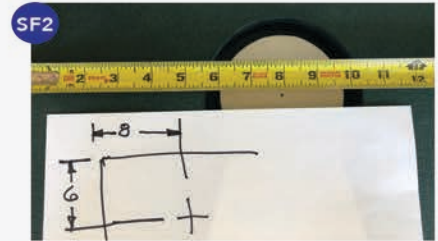
EZ SHOWERBASE INSTALLATION INSTRUCTIONS

317-872-3740 | WWW.EZSHOWERBASE.COM

EZ SHOWERBASE IS DESIGNED TO FIT A SIOUX CHIEF DRAIN #821 ONLY!
DRAIN MUST BE LEVEL AND SECURED TO SUBFLOOR!
SHOWERBASE MUST BE INSTALLED ON LEVEL SUBFLOOR!

INSTALLATION TO WOOD SUBFLOOR

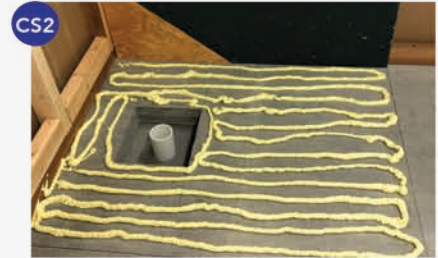
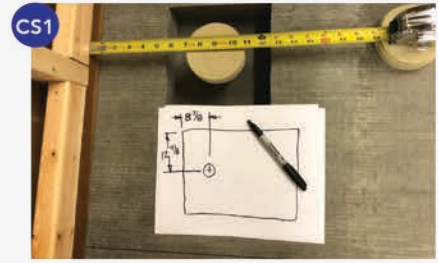
- 1 CLEAN SHOWER AREA** - Remove all dust and debris.
- 2 MEASURE SHOWER AREA** - Place the EZ MEASURING TOOL in the secured drain (per manufacturers specs), then using a tape measure determine the dimensions from all walls to the center point on the tool and record. (See Picture SF1)
- 3 MEASURE SHOWERBASE** - Place the EZ MEASURING TOOL in the EZ ShowerBase drain hole and transfer the dimensions (recorded from step #2) from the center point of tool to the corresponding base edge. Mark and trim if necessary using a saw or knife (See Picture SF2).
- 4 VERIFY FIT OF BASE** - Dry fit the base making sure the drain hole in the base lines up with the drain, then mark the outline of the base. (See Picture SF3)
- 5 BASE INSTALLATION** - Remove base and apply a ¼" continuous bead of 100% silicone to the drain flange outside of the bolt pattern, then in the shower area apply Great Stuff Window & Door Foam (can w/blue label) to subfloor using a line pattern 1½" apart and around the outer edge of drain. Do not allow foam to skin over. See Picture SF4)
- 6 SET BASE** - Place base in position, then using the bolts and washers provided secure the drain clamp ring on the base flange using a criss-cross pattern to distribute the silicone evenly. **HAND TIGHTEN ONLY!!** Apply weight/pressure evenly to spread foam bead between base and subfloor for one hour to allow curing time. (See Picture SF5, SF6, SF7)
- 7 FINISH** - Proceed to the wall installation.



CONCRETE SLAB INSTALLATION

EZ Showerbase recommends placing a 3/4" wood subfloor over the concrete floor in the shower area eliminating the labor, material and proper cure time to fill the plumbing box with concrete (span not to exceed 20").

- 1 **CLEAN SHOWER AREA** - Remove all dust and debris.
- 2 **MEASURE SHOWER AREA** - Measure and record dimensions for shower area (including space for curb) and the location for the Sioux Chief drain. (See Picture CS1)
- 3 **CUT SUBFLOOR** - Using dimensions recorded in step #2 measure and cut the 3/4" OSB or plywood to fit shower area and to locate the drain centerline. Use the outer diameter of the EZ MEASURING TOOL to mark (approx. 4" diameter) and cut the hole for the drain.
- 4 **WATERPROOF THE WOOD SUBFLOOR** - Coat bottom side with liquid rubber and allow to dry forming a barrier between concrete and wood subfloor. (See Picture CS2)
- 5 **VERIFY FIT OF SUBFLOOR** - Dry fit the subfloor making sure of the fit & drain location and check for level.
- 6 **SUBFLOOR INSTALLATION** - Remove subfloor and apply Great Stuff Window & Door Foam (can w/blue label) to concrete floor using a line pattern 1 1/2" apart. Do not allow foam to skin over. (See Picture CS2)
- 7 **SET SUBFLOOR** - **A)** Position subfloor with coated side down and apply weight/pressure evenly to spread foam bead between concrete and subfloor for one hour curing time. (See Picture CS3) . **B)** Add concrete anchors (such as KwikTap, Tapcon) around the perimeter of subfloor (app. 16") (See Picture CS3)
- 8 **FINISH** - Proceed to wood subfloor installation.



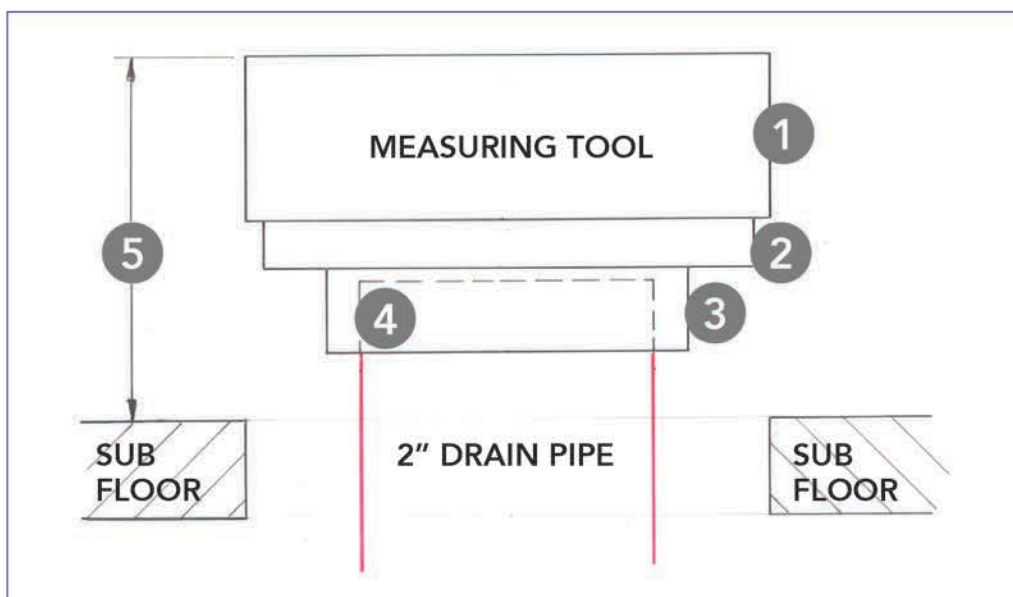
CURB INSTALLATION

- 1 **MEASURE CURB AREA** - Measure cut and dry fit EZ CURB, then mark the perimeter. (See Picture C1)
- 2 **CURB INSTALLATION** - Remove curb and apply a bead of Great Stuff Window & Door Foam (can w/blue label) along the front edge of shower base and to subfloor using a line pattern 1 1/2" apart. Also apply foam to any curb joints. Do not allow foam to skin over. (See Picture C2,C3)
- 3 **SETTING THE CURB** - Place curb against the base and on the subfloor. Apply weight/pressure evenly to spread foam bead between curb, base and subfloor for one hour to allow curing time.
- 4 **WATERPROOFING CORNERS** - After trimming excess foam. Apply with a brush liquid rubber (ex. Aqua Defense or Red Guard) to the curb, wall and base transitions. Embed fabric and remove all bubbles/wrinkles with a putty knife making sure of total saturation.
- 5 **FINISH** - Allow liquid rubber to dry and proceed with tile installation.

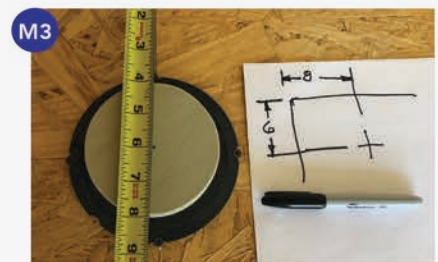
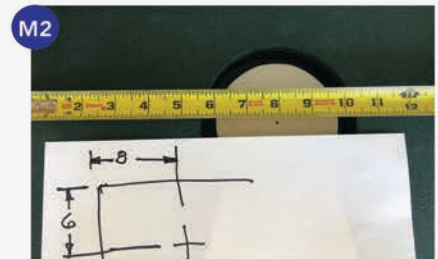


EZ MEASURING TOOL INSTRUCTIONS

- 1 SUBFLOOR CUTOUT DIAMETER** - Used to mark the diameter required for the subfloor cutout allowing the drain to be supported and to set properly on the subfloor. (See Picture M1)
- 2 BASE MEASURING DIAMETER** - Used to check the final dimensions of the shower base by positioning in the shower base drain cutout and measuring from the center point dot on the tool to all edges of base. (See Picture M2)
- 3 DRAIN/BASE MEASURING DIAMETER** - Used to measure the final dimensions required for the shower base area by positioning in the Sioux Chief Drain base mounted to the subfloor and measuring to all walls. (See Picture M3)
- 4 PIPE/BASE MEASURING DIAMETER** - Used to measure the base dimensions in place of #3 above using the 2" drain pipe instead of the drain base. (See Picture M4)
- 5 DRAIN PIPE LENGTH** - Used to determine the dimension the 2" drain pipe should be below the subfloor to connect the Sioux Chief Drain and properly set on the subfloor. After completing step #1 above place tool on the 2" drain pipe and measure the distance from the top of the tool to the subfloor...this is the amount to be removed from the drain pipe. (See Picture M5,M6)



EZ SHOWERBASE IS DESIGNED TO FIT A SIOUX CHIEF DRAIN #821 ONLY!
 DRAIN MUST BE LEVEL AND SECURED TO SUBFLOOR! SHOWERBASE MUST BE INSTALLED ON LEVEL SUBFLOOR!



WALLBOARD INSTALLATION

- 1 MEASURE WALL AREA**
 Measure cut and dry fit wallboard.
- 2 INSTALL WALL BOARD**
 Remove wallboard and apply a bead of Great Stuff Window & Door Foam (can w/blue label) along the top where the EZ Showerbase meets the studs/blocking . Set the wallboard in the bead on top of the base allowing any foam that squeezes out to cure when it is easier to trim. Fasten wallboard to studs. (See Picture WB1, WB2)
- 3 WATERPROOFING CORNERS**
 After trimming excess foam. Apply with a brush liquid rubber (ex. Aqua Defense or Red Guard) to the wall-to-base transitions and all vertical corners. Embed fabric and remove all bubbles/wrinkles with a putty knife making sure of total saturation (See Picture WB3, WB4).
- 4 WATERPROOFING BASE & WALLS**
 Using a standard paint roller apply liquid rubber to the entire shower area. Two coats are recommended.
- 5 FINISH**
 Allow liquid rubber to dry and proceed with tile installation. Be sure to add pea fill gravel around drain according to manufacturer's specifications before tiling.

